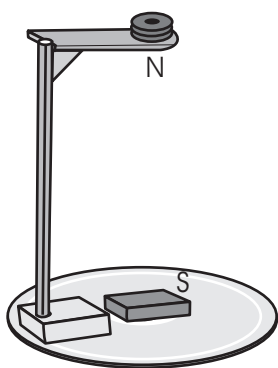


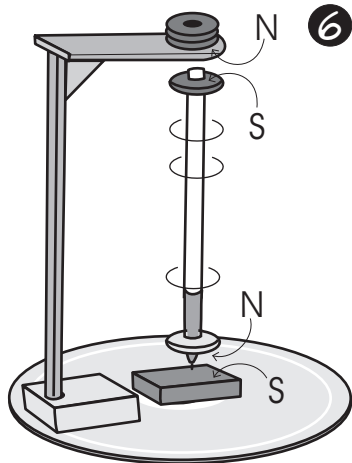
- 1 Make hole in the rubber piece and stick it on a CD.



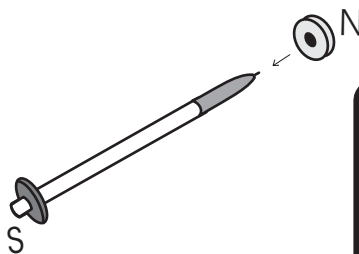
- 2 Stick a rectangular magnet at the centre with rubber glue. Its South pole should be facing up.



- 3 Stand a pencil in the hole of the rubber piece. Fix it in place with rubber glue.
- 4 Stick half an ice-cream stick to the pencil on top. Stick a rubber triangle for support and strength.
- 5 Stick two ring magnets on top of the ice-cream stick. Their North poles should point downwards.



- 6 Insert ring magnets on both ends of a pen. Their polarities are shown in the picture. The magnets on the pen will be attracted both to the top and the base magnets.



This model is based on the basic principle of magnetism - that LIKE poles repel and UNLIKE poles attract.

- 7 Place the pen tip on the base magnet. The pen will stand erect. Twirl it to keep it spinning!