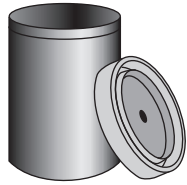


# CD-GYROSCOPE

## YOU NEED



Film can



Thread



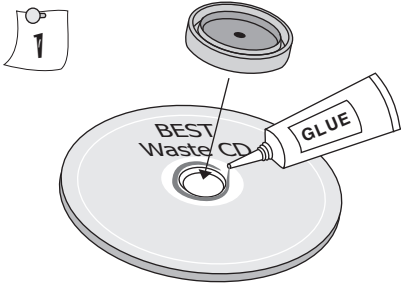
Old CD



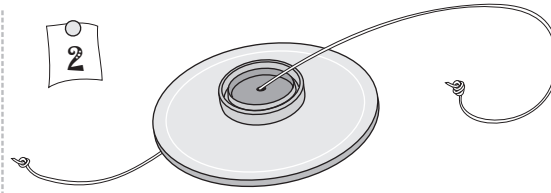
Rubber Glue



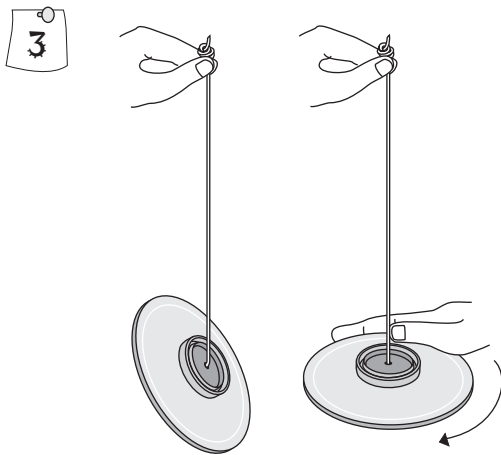
Scissors



Stick the flat face of a film can lid to the center of an old CD. Make a hole in middle of the lid.



Weave a thread and tie knots on its ends. The thread should be free in the hole.



You will be surprised that the plane in which the CD rotates does not change even as the thread inclines to the left or right. The "spinning" CD acts like a gyroscope.

Hang the CD with the end of the thread. The CD at rest will turn "vertical" and hang at an angle. Now hold the thread with one hand and spin the CD with the other. Swing it from left to right.

