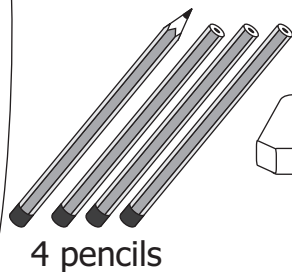
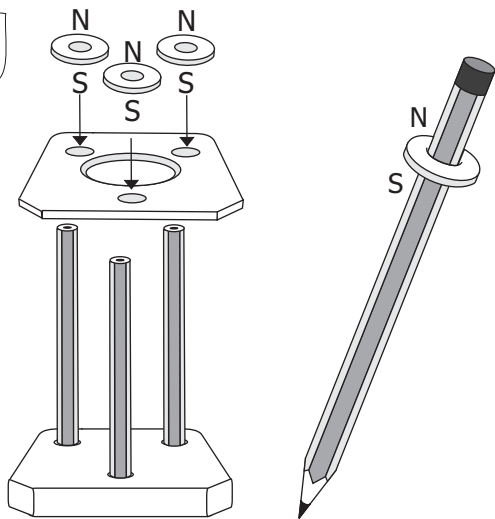


STANDING SPINNING PENCIL

YOU NEED

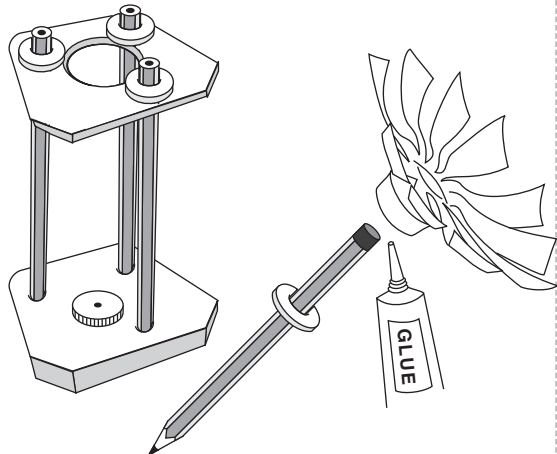


1



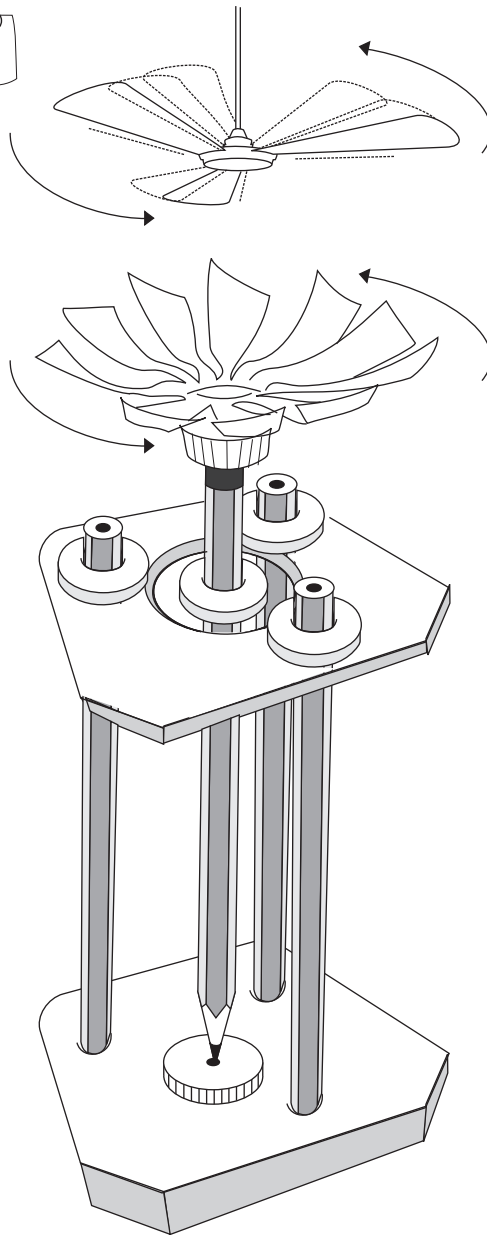
Stand 3 pencils on a rubber base. Stick thick card on top for support. Fix three ring magnets with same poles UP. Fix another magnet in a sharp pencil.

2



Stick a coin with a dent on the rubber. Make a fan from a bottle top and glue it to the middle pencil.

3



Adjust the central magnet to make the pencil stand on its point. Place under a ceiling fan to spin the pencil continuously.