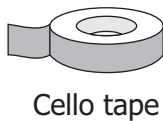
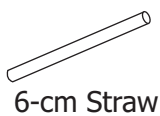
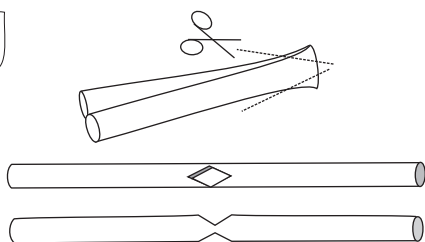


STRAW SPINNER

Thin Straw YOU NEED

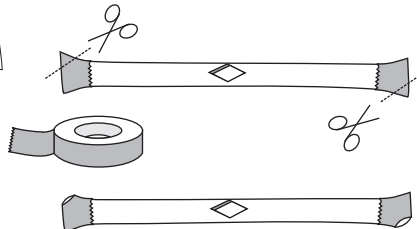


1



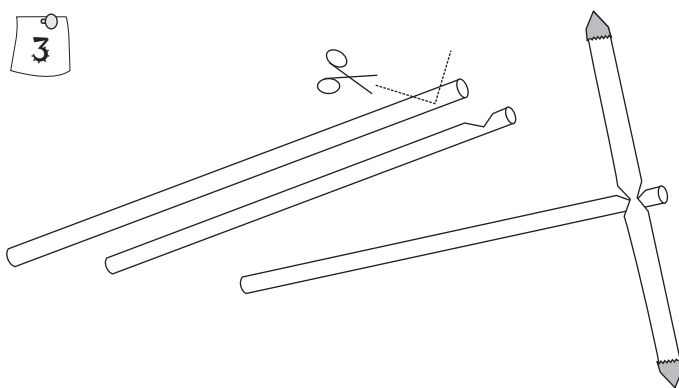
Fold a 6-cm straw in half. Nip corners to make a diamond shaped hole in the center.

2



Flatten ends and seal with tape. Nip diametrically opposite corners to make the spinner.

3



Cut a 'V' notch near the end of the thin straw. Place the thin straw in the spinner. Close end with one finger. Then blow and enjoy the spin.

4



Place spinner on the table and blow through the straw to make it spin round-and-round.

